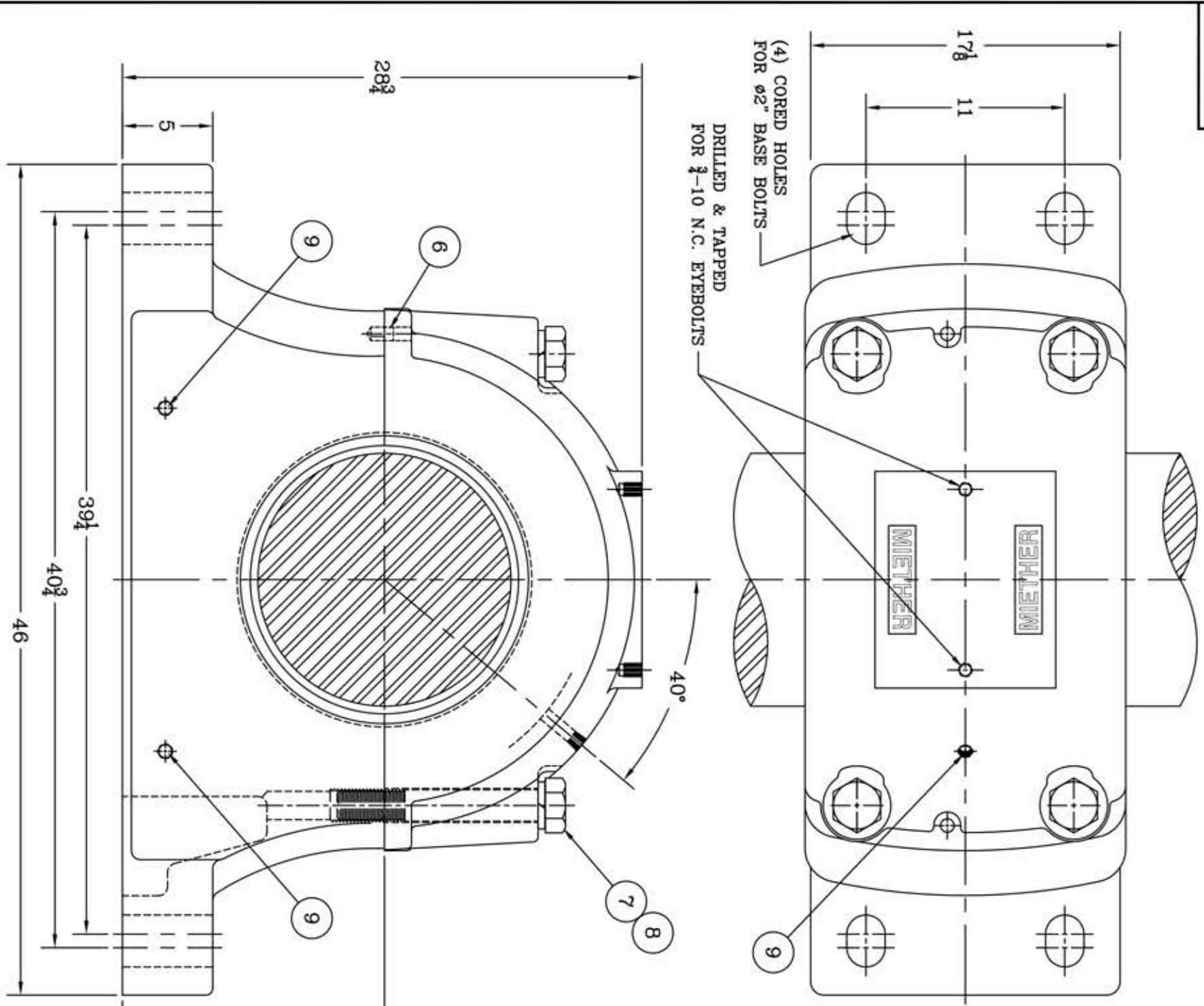
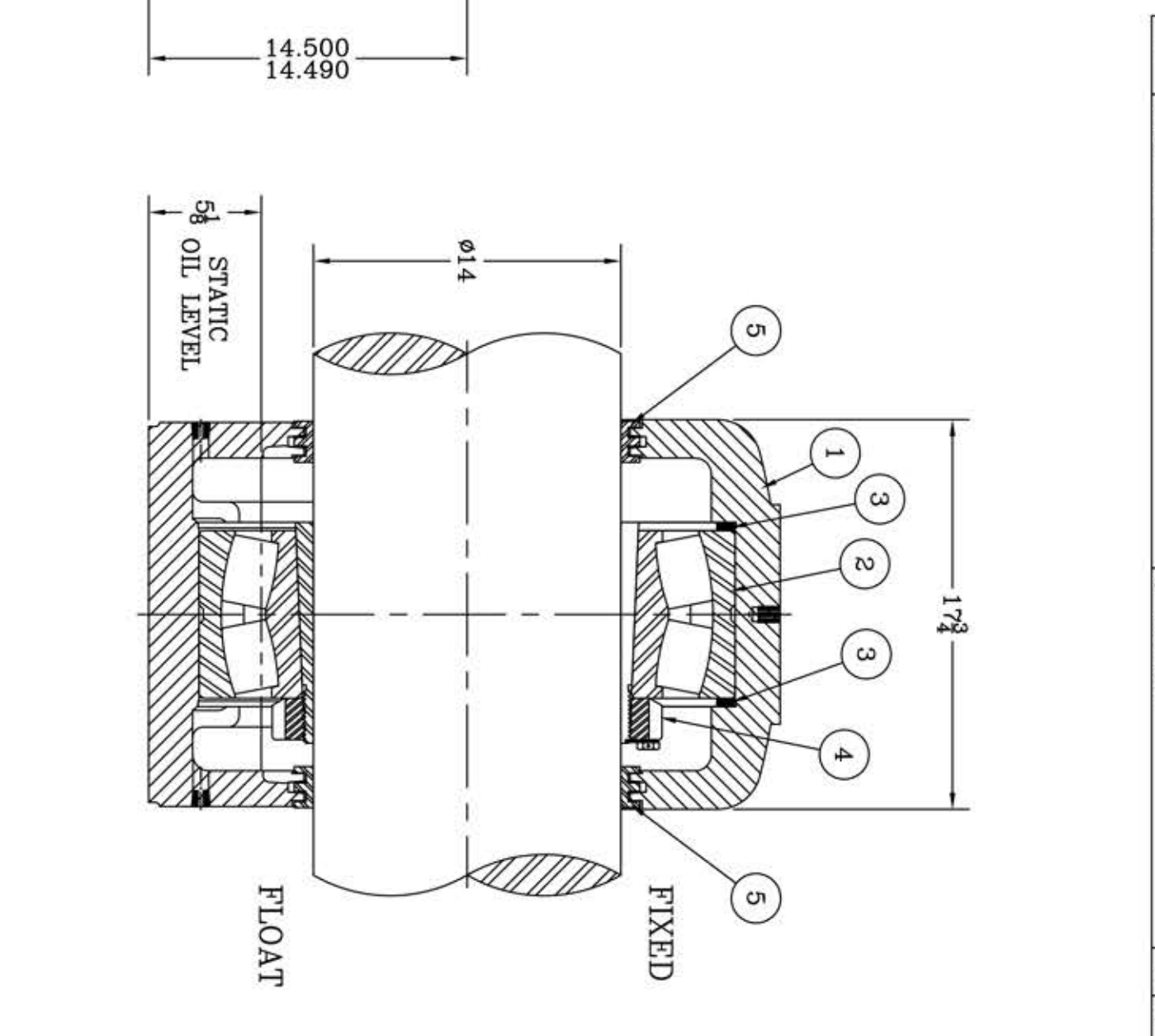


This drawing is the sole property of Miether Bearing Products and contains confidential and proprietary information. It is being provided to you for your use and may not be disclosed to any third party or used for any other purpose without Miether's prior written consent. The [materials] must be returned to the Company upon its demand. Your acceptance of these materials constitutes your acceptance of the foregoing terms.

C-35302



ITEM	DESCRIPTION	DETAIL	REQUIRED
1	HOUSING SDAFDD 3176K 14-00	C-	1 1
2	SPHERICAL ROLLER BEARING	23176K/W-33	1 1
3	STABILIZING RING A8978	A-25092	2 0
4	ADAPTER SNP-3176 14-00	01626	1 1
5	TRIPLE SEAL RING ER-876	A-10760	2 2
6	DOWEL	ø 3/4 x 1 1/4 LONG	2 2
7	CAP BOLT HEX. HEAD GR.5	1 1/2-5 NC x 13" LONG	4 4
8	LOCKWASHER	1 1/2 SPLIT MED.	4 4
9	PIPE PLUG	1/2-14 NPT	5 5



REVISIONS

SYMBOL	DESCRIPTION	MICRO-INCH VALUE
C		16
D		32
E		63
F		125
G		250
J		500
K		1000

TOLERANCE: UNLESS OTHERWISE SPECIFIED  
 FRACTIONS  $\pm 1/32"$  ANGLES  $\pm 0^\circ 30'$   
 DECIMALS  $\pm .005"$  WELD  $\pm 1/16"$   
 CASTING  $\pm 1/16"$

A.I.S.I. STANDARD FINISHES

AN ALCO INDUSTRIES COMPANY  
 BEARING PRODUCTS  
 ODESSA, TX. USA

SDAFD 23176 K 14-00  
 ASSEMBLY DRAWING

SCALE 1 = 5  
 DRAWN PCF  
 DATE 1/9/13  
 CHK:

ASSEMBLY NO.  
 DRAWING NO.  
 C-35302